



- **Standard SIP Phone**
- **42CM vandal resistant handset and cord**
- **Standard IP66 weatherproof rating**
- **Full rubber keypad with memory,0-9 buttons can be programmed as speed dial button.**
- **“LR” button for last number redial**
- **“R” for flash recall**
- **“M” for muting**
- **The phone will ringing loudly and lamp will flashing when there is a incoming call.**
- **With auto-answer feature after 3 ringing,Auto-release the line when the other side cut off the line.**
- **With built-in amplifier, with external beacon & horn, with broadcasting function (option)**
- **DC12V powered**
- **on wall mounting with mounting bar**
- **CE,FCC,RoHS,ISO9001,IK10,IP66 compliant**

The JR100 series telephones are fully contained within a corrosion resistant cast aluminium weatherproof case with a door providing complete protection against dust and moisture ingress, resulting in a highly reliable product with a long MTBF.

The unique robust handset is manufactured from moulded Bulk Molding Compound and designed specifically to withstand arduous use in all environments, armoured cord to provide additional resistance to vandalism or heavy industrial use.

The JR100 series Weatherproof Telephones are designed for use by the railways, power stations, the armed services and heavy industry which require very reliable telephony under adverse conditions.

## SIP-VoIP TECHNICAL SPECIFICATIONS

**Power:** 12V DC or PoE: IEEE802.3af/at (option)

**Port:**

WAN: 10/100Base-T RJ-45 for LAN, Auto MDIX

LAN: 10/100Base-T RJ-45 for PC, Auto MDIX

**Power Consumption:**

Idle:1.5W/ Active:1.8W

### Voice Features

- Support SIP 2.0 (RFC3261)
- Codec: G.711A/u, G.7231 high/low, G.729, G.722
- Echo cancellation: Support G.168 and hand-free can support 96ms
- Supports full duplex
- SIP support SIP domain,SIP authentication(none, basic,MD5),DNS name of server
- DTMF:SIP info, DTMF Relay,RFC2833
- Call control feature:Flexible dial map,support hot-line

### Network Features

- WAN/LAN: support Bridge mode
- Support static IP address
- Support DHCP get IP on WAN port
- Support VLAN
- Support web config
- Data Protocols: IPv4, TCP, UDP, ICMP, ARP, DNS and DNS SRV for SIP Signaling

## TECHNICAL SPECIFICATIONS

### Casing Material

Die cast aluminium, epoxy powder coated.

### Colors

Yellow, other colors to special order

### Handset Material

Cyclopol with stainless steel spiral cord

### Hook switch

Electronic / magnetic with no visible moving parts

### Keypad

Rubber Keypad

### Temperature

Operating: -30°C to +65°C

Storing: -40°C to +75°C

### Weather Resistance

IP66(standard)~ IP67(highest rating)

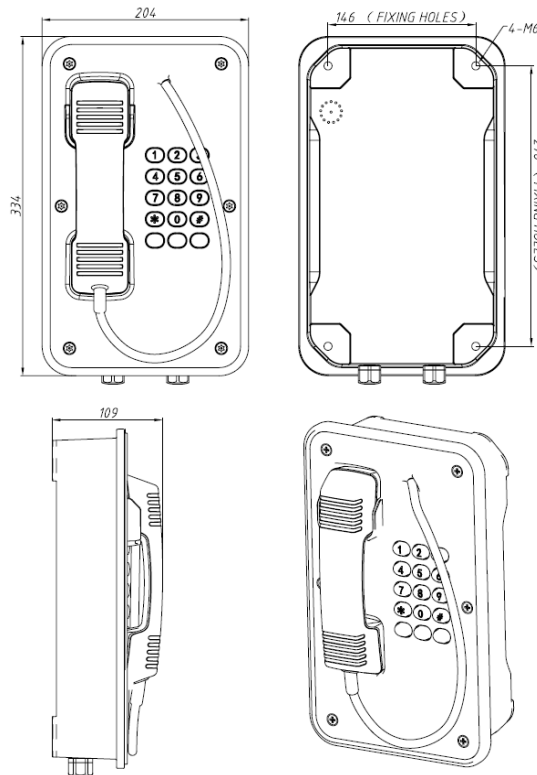
### Ringtone

Shrill warble tone 110 dBA @ 1 metre typical

### M.T.B.F.

Calculated to have an M.T.B.F. in excess of 50,000 hours using

## DIMENSIONS:



(Measured in mm)

## APPROVALS



This mark indicates compliance with the:  
Radio & Telecommunications Terminal Equipment  
Directive  
2004/108/EC



This mark indicates compliance with the:  
FCC Part 15 Subpart B Class B

## PACKAGE

unit size: 204 \*334 \*109(mm)

Carton size:200\*300\*440( mm )

Packaging materials: pearl cotton, carton

Net weight: 11KG

Gross weight: 12KG

## TECHNICAL SPECIFICATIONS:

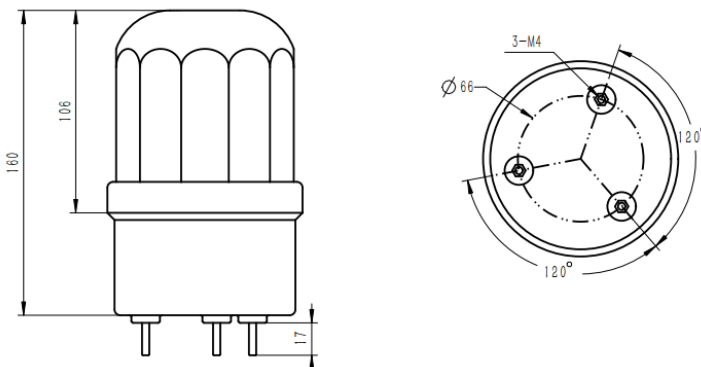


#### Beacon Features:

- Adopted the vacuum processing mirror, Improve the brightness diffusion
- Rated revolution: 120-140 RPM
- Adopt High Brightness LED light bulb glow, illuminance > 800LX, Lifespan > 1000 hours
- Material: lampshade-PS Base-ABS Reflector-ABS
- Power consumption: 0.5W
- Color: Red

#### Wiring method:

- This product provides a pairs of lines
- The wiring needs to distinguish positive & negative poles
- (Black power cable connect the cathode)



#### Horn Features:

- Input power: 35 W
- Color : Gray
- Impedance: 8 ohm
- SPL(1W/M): 110 dB
- Freq.response: 400~8000K Hz (-20dB)

