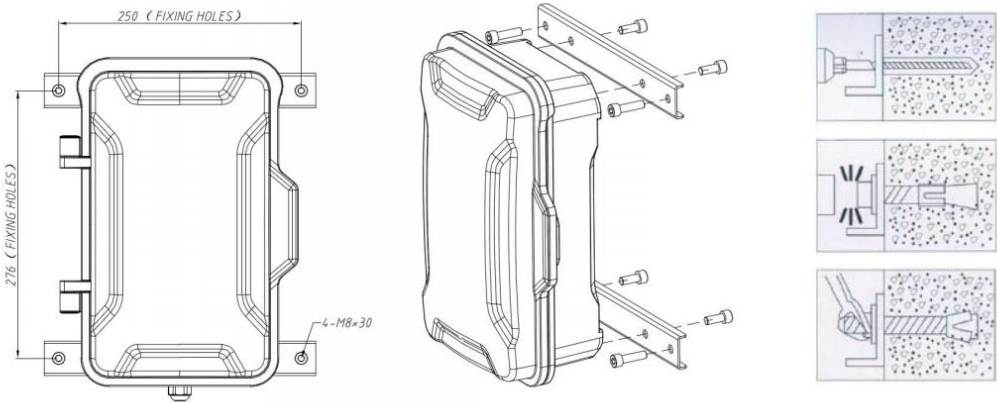


The phone supports two mounting ways, and can flexibly adapt to the on-site installation environment.

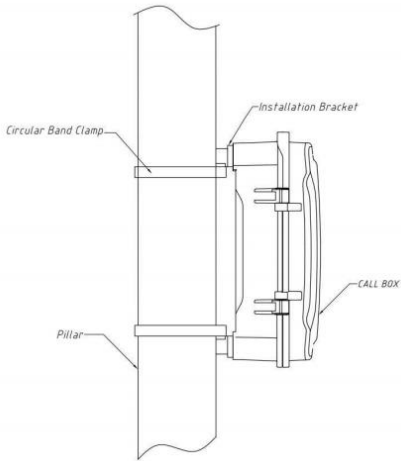
We will provide mounting bars and screws. No junction box is required.

## 10. Installation

### 1. Wall Mounting



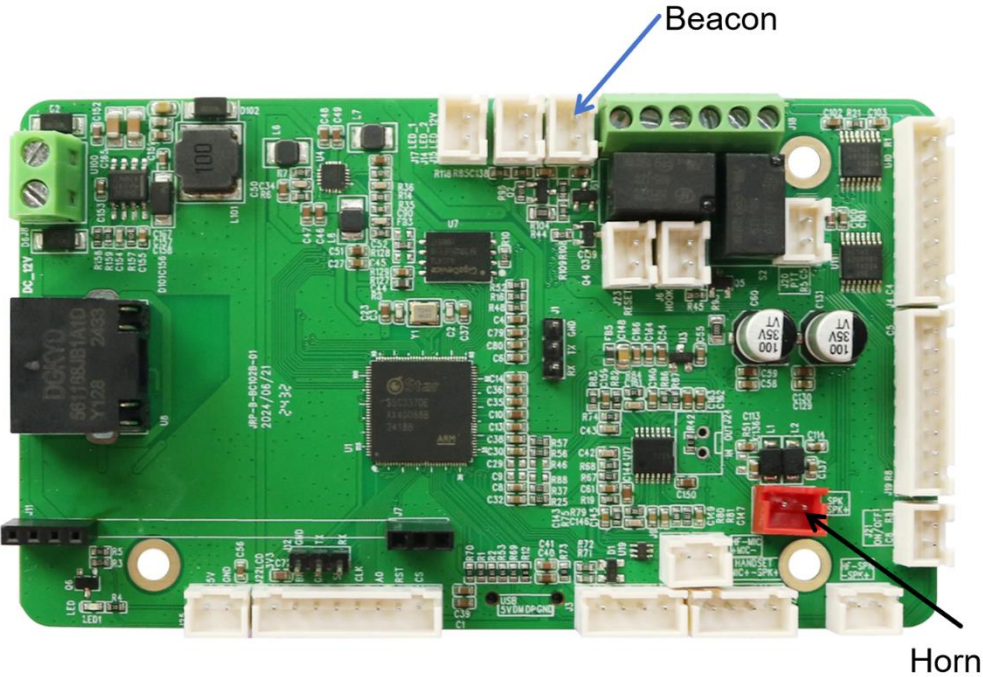
### 2. Column Mounting



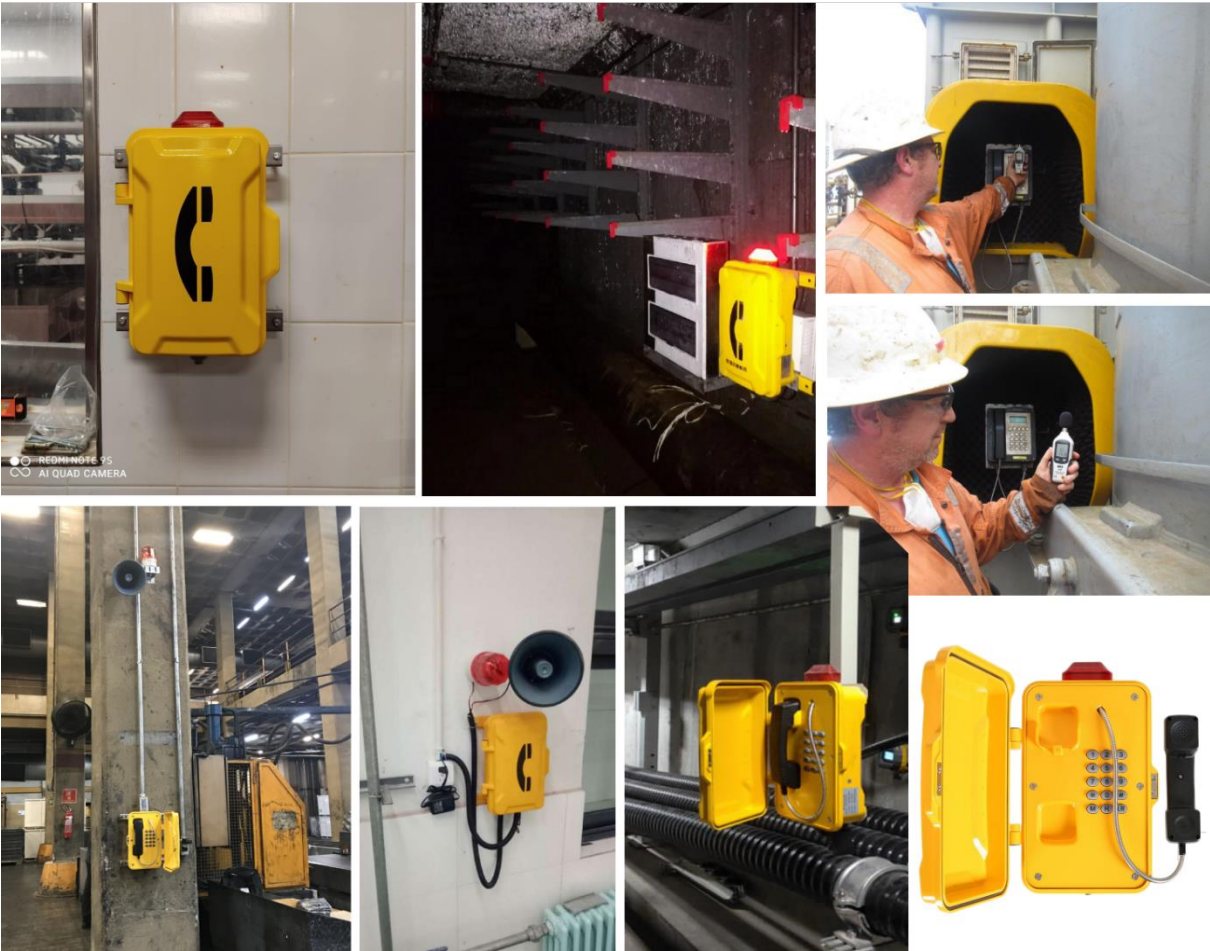
The DC12V power supply is provided to the phone, and the power supply of the horn and beacon depends on the connection from the phone.

This set needs to be assembled by the customer. Because it may be damaged during transportation if we assemble and pack it for delivery.

The installation is very convenient, and the PCB board has clear interface instructions.



The set is very suitable for use in the factory. Here are some on-site installation diagrams for your reference. There are also 2 videos in the attachment.



We provide mounting screws for speaker and light. They can be mounted on post or wall. No wall brackets for light and speaker.

The standard wire length from phone to light and speaker is 2 meters. It can be adjusted according to actual needs.

